

# TECHNOLOGICAL PROCESS OF PIPE CUTTING FROM INSIDE WITH THE CUTTING MACHINE CTI 115 – 142 (COFIM)



Birute Teskeviciene

JSC Ekobana

Ignalina NPP

2018 11 08



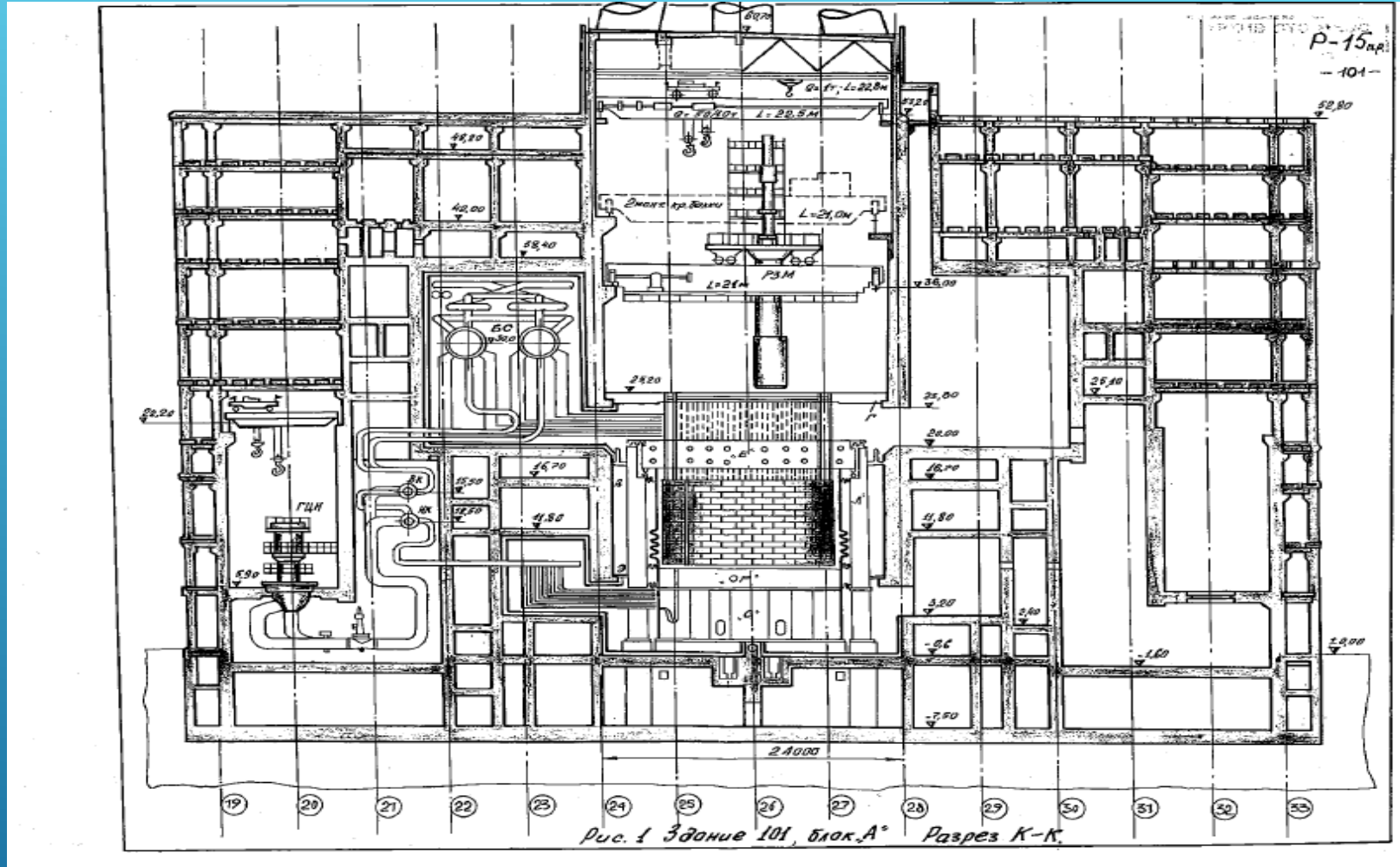


Figure 1. Front view of the reactor

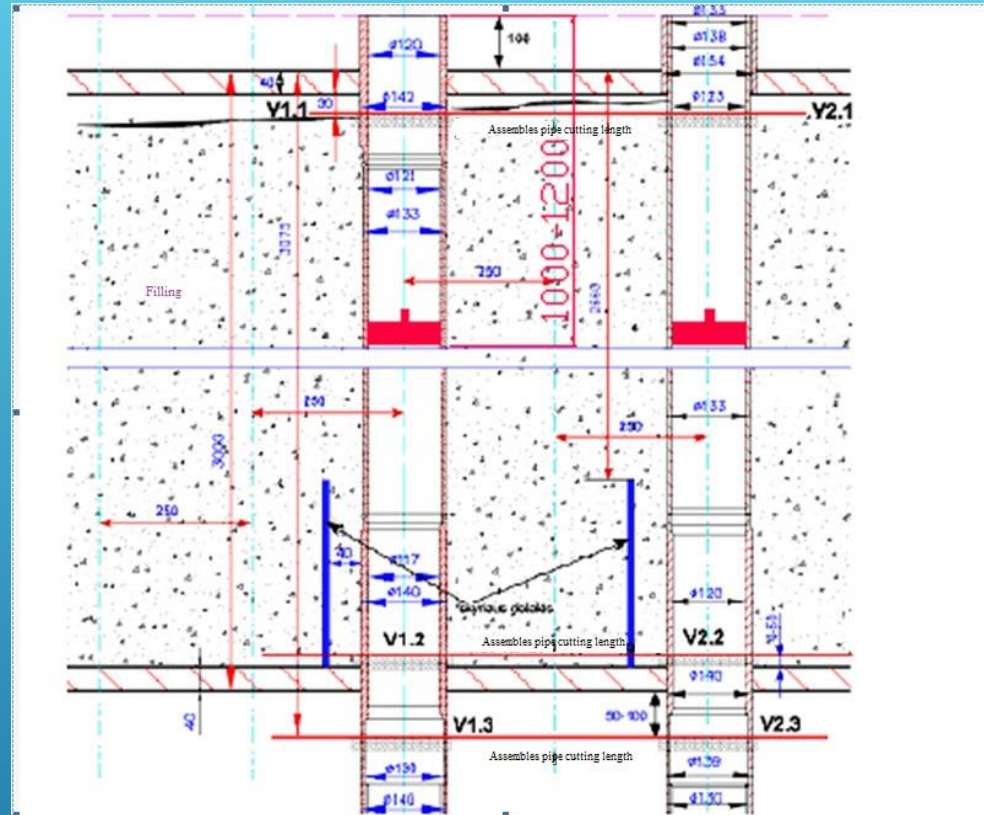


Figure 2. Blind flange insertion places in V1 and V2 pipes during cutting works in V1.1 / V2.1

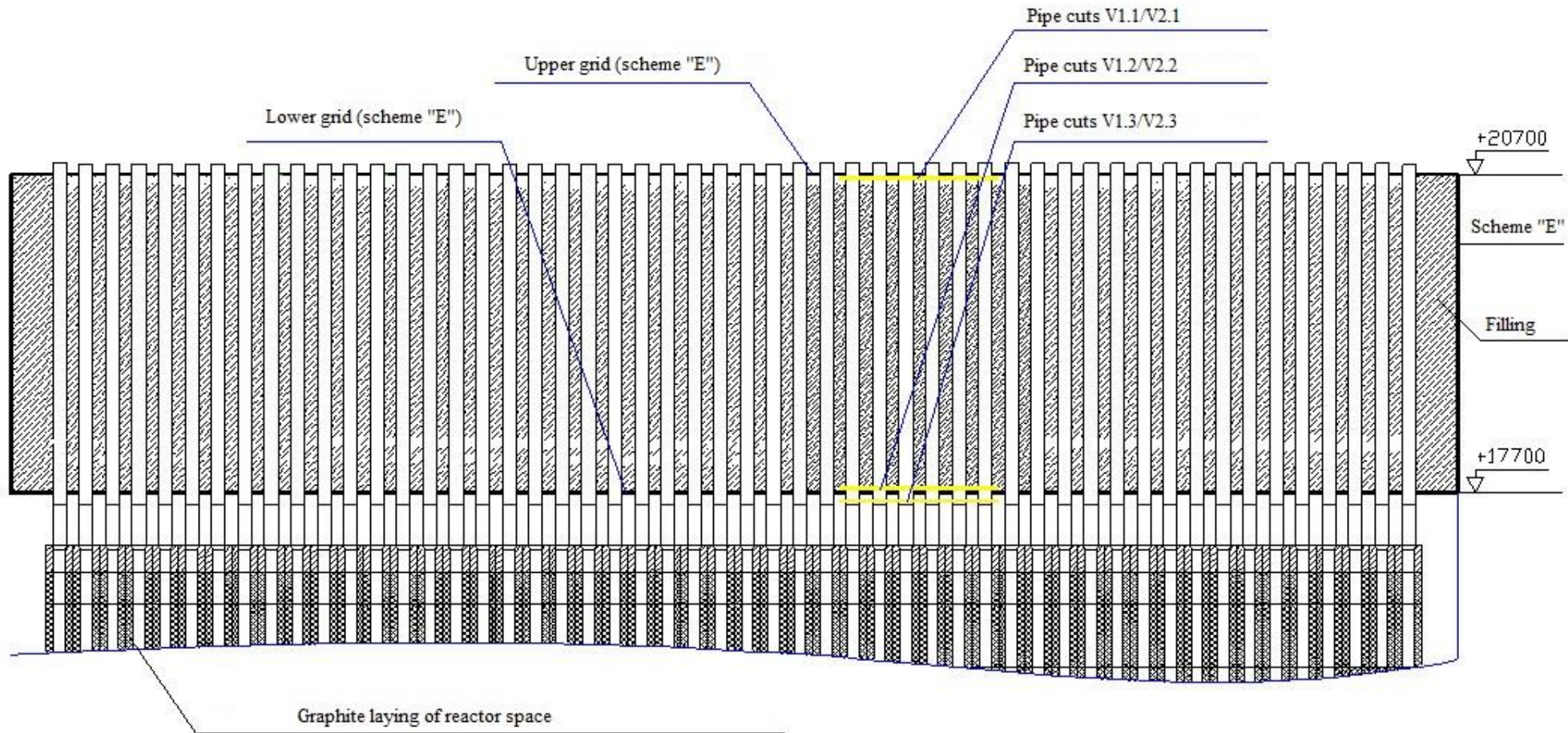


Figure 3. E-scheme



Figure 4. The upper pipe ends above the upper "E" scheme bars must be prepared and should be removed from the thermal cutting particles

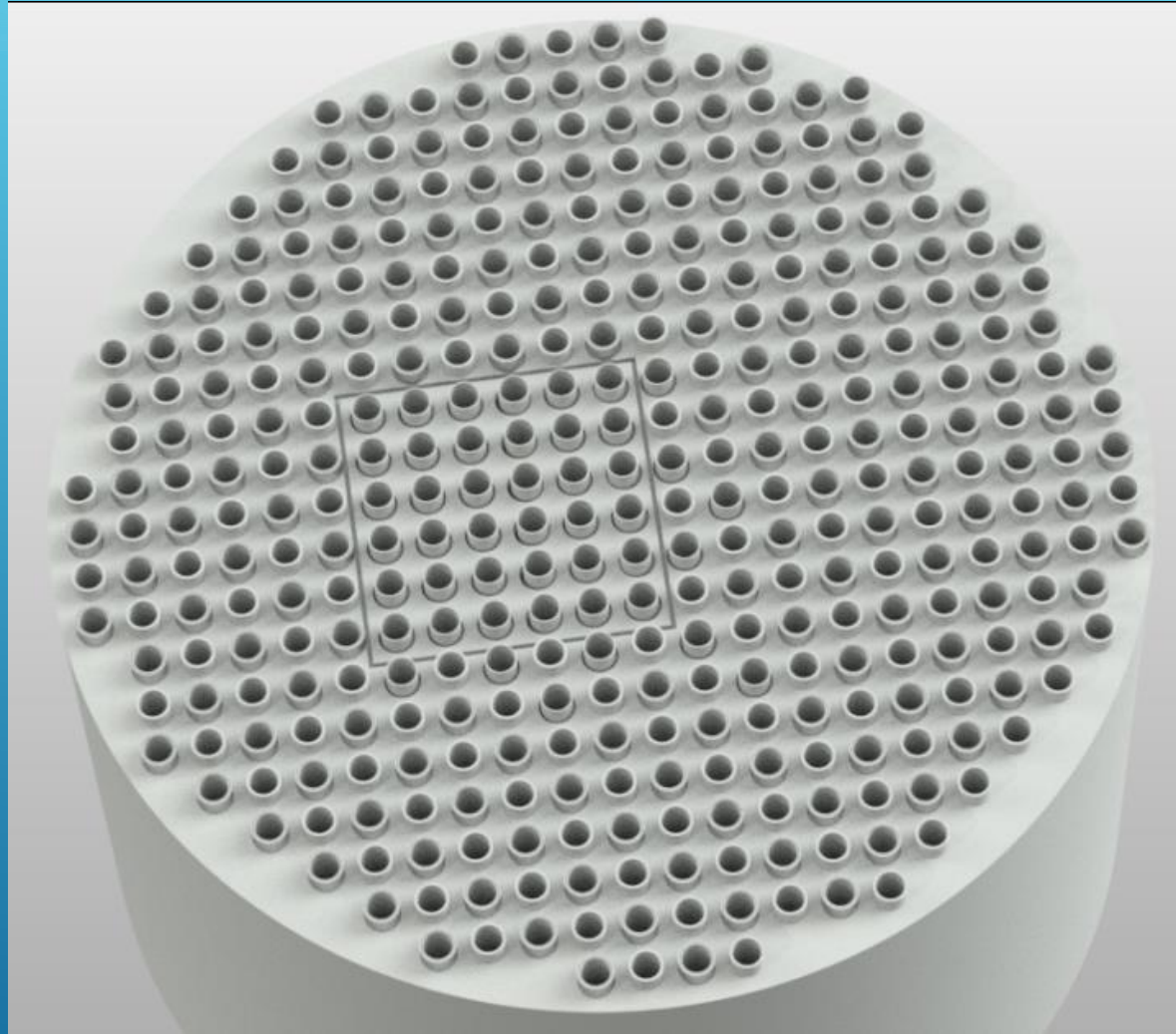


Figure 5. Top view of scheme E

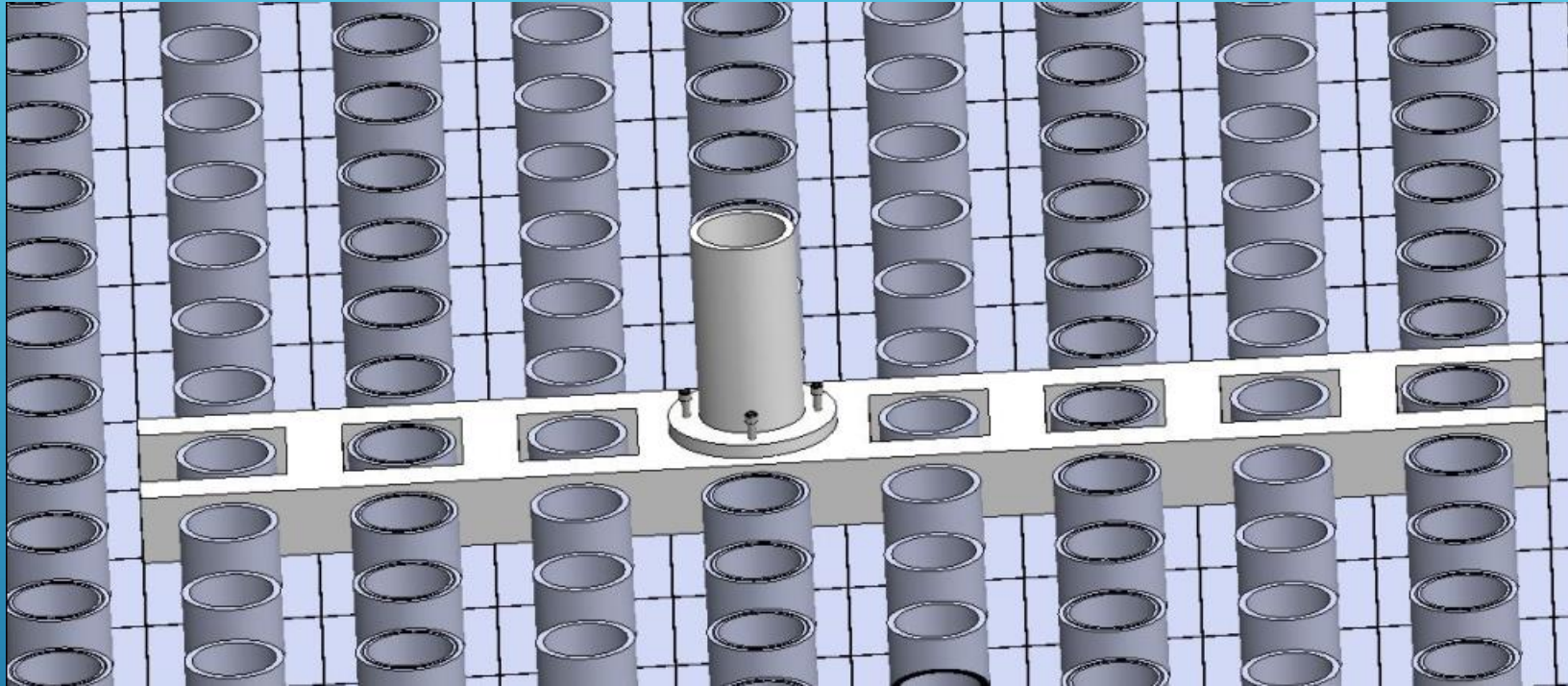


Figure 6. Accessories for fitting machine into the tube

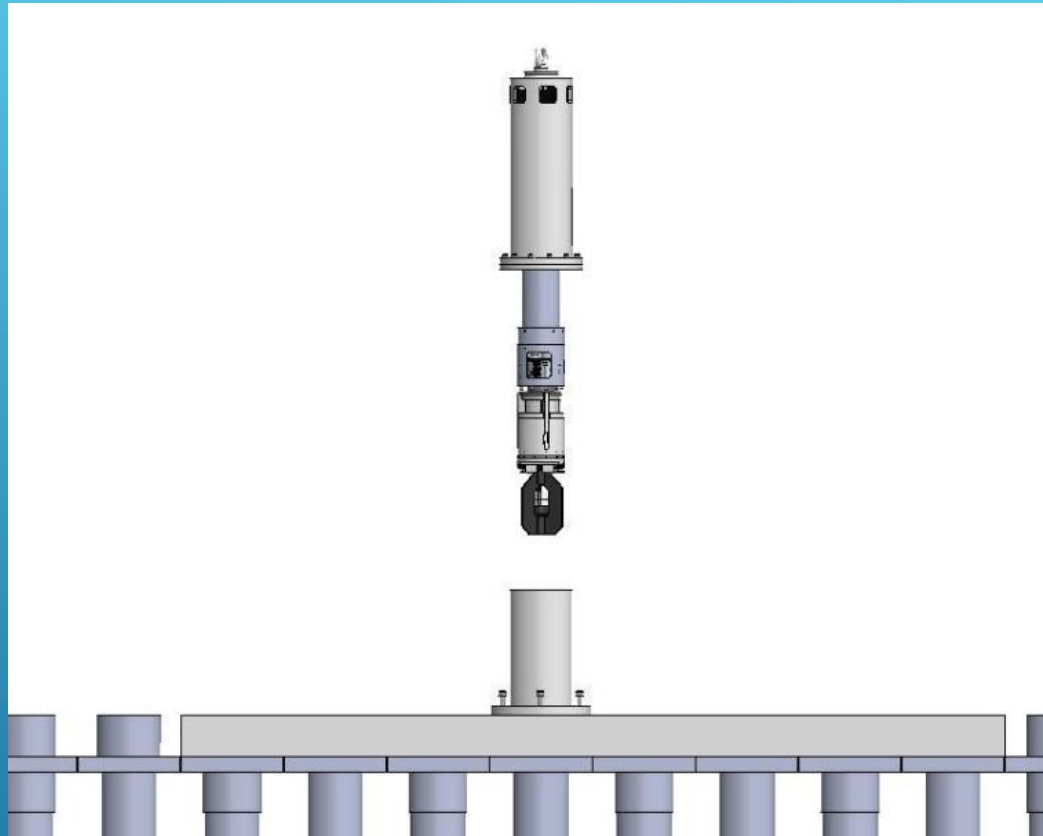


Figure 7. The cutting machine head is hold by crane above the tube to be cut



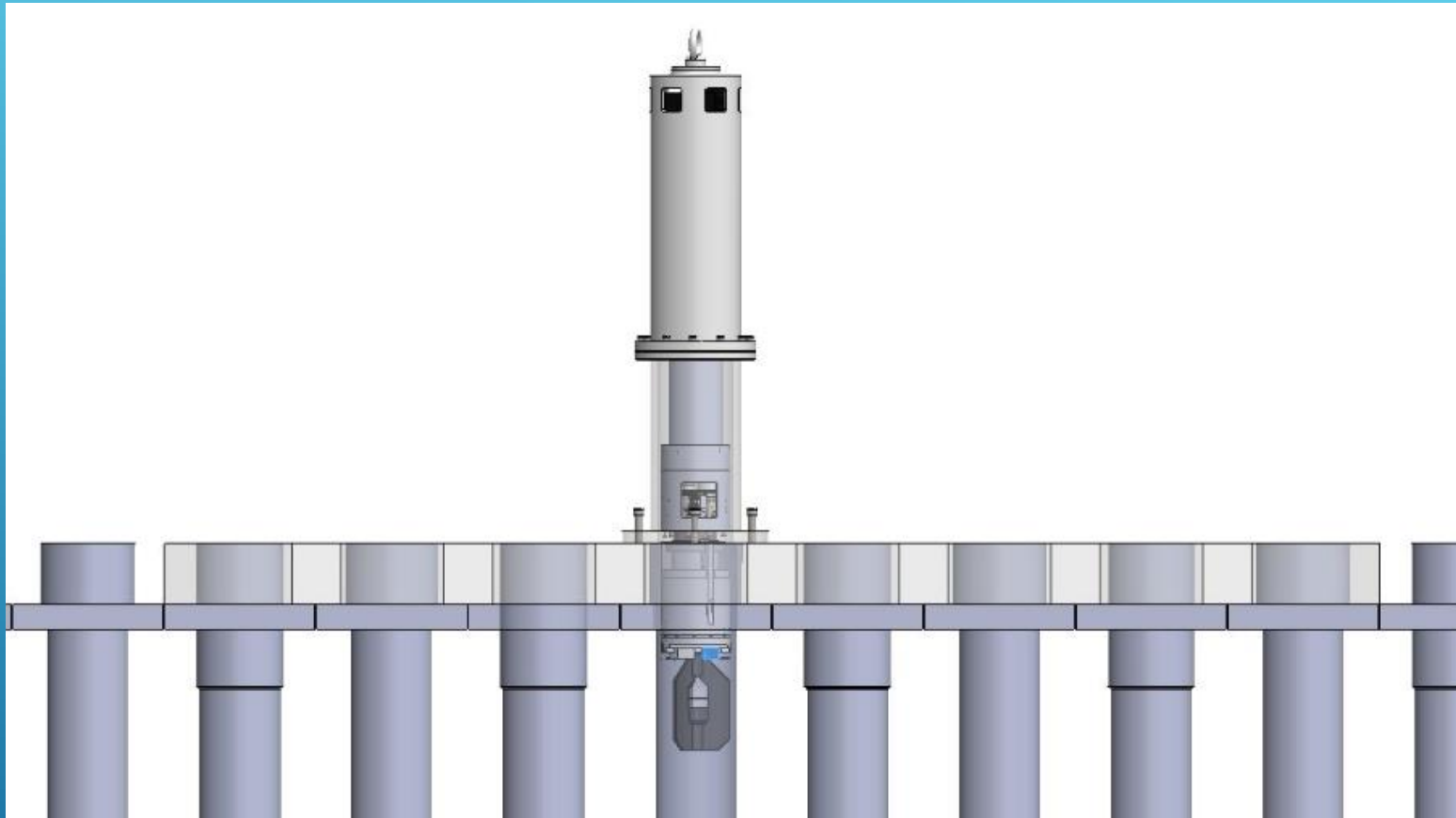


Figure 8. Machine inside the tube

•they reach the supporting frame; see Fig. 30.

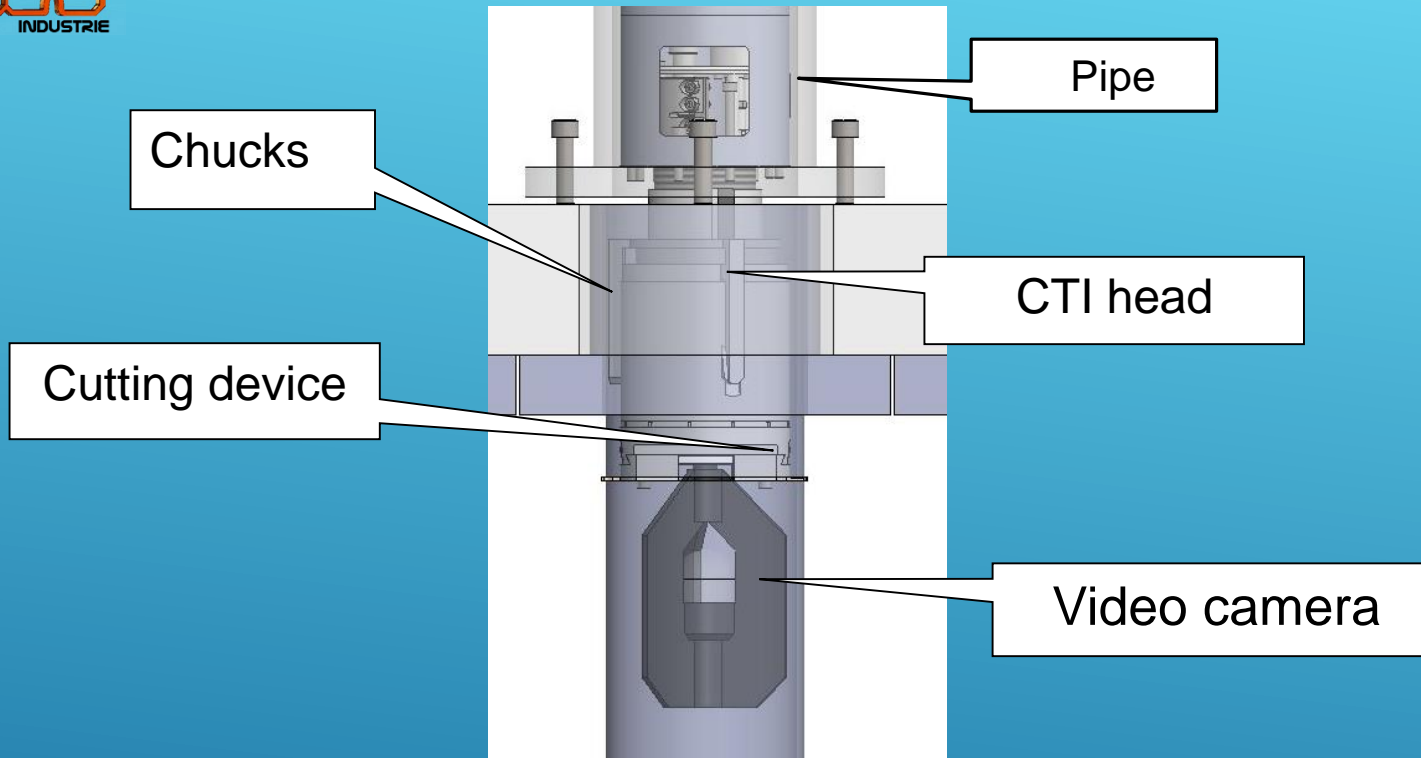


Figure 9. Pipe cutting in V1.1 / V2.1 level



# THANK YOU FOR YOUR ATTENTION !

Birute Teskeviciene

JSC Ekobana

[Birute.Teskeviciene@ekobana.lt](mailto:Birute.Teskeviciene@ekobana.lt)

[www.ekobana.lt](http://www.ekobana.lt)

